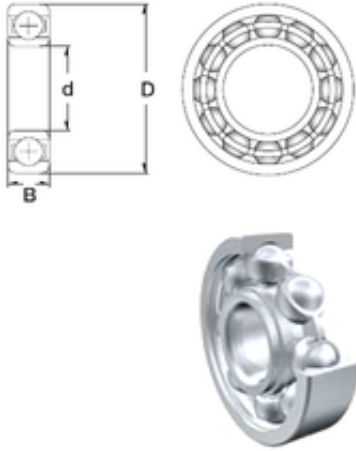




## GQ BEARING PROCESSING LTD



105 mm x 130 mm x 13 mm ZEN 61821 deep groove ball bearings

Bearing No. 61821

Size	105x130x13 mm
Bore Diameter	105 mm
Outer Diameter	130 mm
Width	13 mm
d	105 mm
D	130 mm
B	13 mm
C	13 mm
Basic dynamic load rating (C)	20,8 kN
Basic static load rating (C0)	23,6 kN
(Grease) Lubrication Speed	4600 r/min

61821 Bearing 2D drawings and 3D CAD models