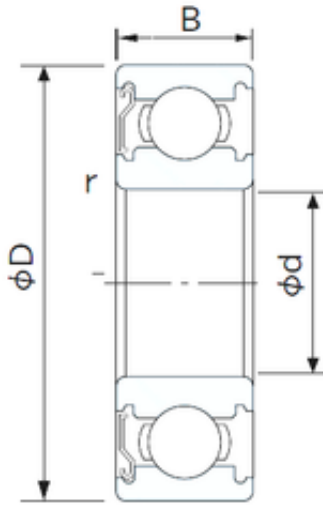




## GQ BEARING PROCESSING LTD



12 mm x 37 mm x 12 mm CYSD 6301-Z deep groove ball bearings

Bearing No. 6301-Z

Size	12x37x12 mm
Bore Diameter	12 mm
Outer Diameter	37 mm
Width	12 mm
d	12 mm
D	37 mm
B	12 mm
C	12 mm
r min.	1 mm
Weight	0,05 Kg
Basic dynamic load rating (C)	9,72 kN
Basic static load rating (C0)	5,09 kN
(Grease) Lubrication Speed	20000 r/min

6301-Z Bearing 2D drawings and 3D CAD models