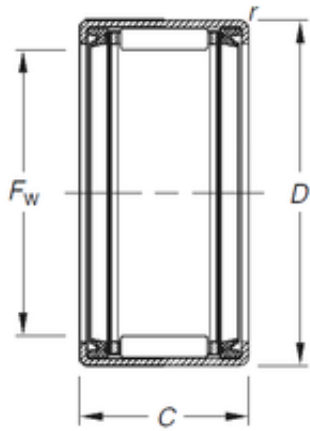




GQ BEARING PROCESSING LTD

Timken HK2016.2RS needle roller bearings



Bearing No. HK2016.2RS

Size	20x26x16 mm
Bore Diameter	20 mm
Outer Diameter	26 mm
Width	16 mm
Fw	20 mm
D	26 mm
C	16 mm
r	1 mm
Weight	0,023 Kg
Basic dynamic load rating (C)	8,97 kN
Basic static load rating (C0)	12,5 kN

HK2016.2RS Bearing 2D drawings and 3D CAD models