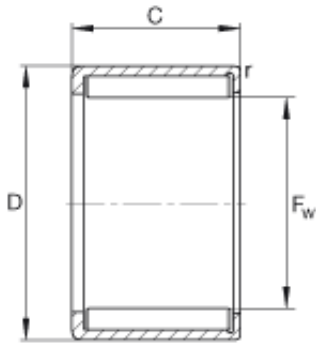




GQ BEARING PROCESSING LTD



INA HN2016 needle roller bearings

Bearing No. HN2016

Size	20x26x16 mm
Bore Diameter	20 mm
Outer Diameter	26 mm
Width	16 mm
F_w	20 mm
D	26 mm
C - 16 mm / Tolerance: -0,3	16 mm / Tolerance: 0,3
r_{min}	0,8 mm
m	22 g / Weight
C_r	18100 N / Dynamic load rating (radial)
C_{0r}	36500 N / Static load rating (radial)
C_{ur}	4750 N / Fatigue limit load, radial
n_G	7300 1/min / Limiting speed
n_B	6800 1/min / Reference speed
	LR17X20X16,5 / Suitable inner ring
	IR17X20X16 / Suitable inner ring

HN2016 Bearing 2D drawings and 3D CAD models