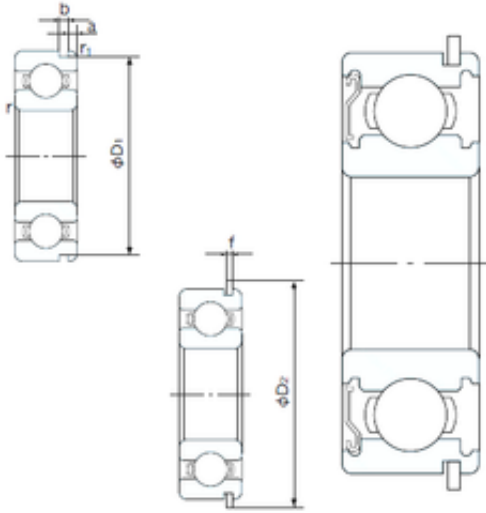




GQ BEARING PROCESSING LTD



22 mm x 50 mm x 14 mm NACHI 62/22ZENR
deep groove ball bearings

Bearing No. 62/22ZENR

Size	22x50x14 mm
Bore Diameter	22 mm
Outer Diameter	50 mm
Width	14 mm
d	22 mm
D	50 mm
B	14 mm
C	14 mm
a	2.46 mm
b	1.35 mm
f	1.12 mm
r min.	1 mm
r1 min.	0.5 mm
D1	47.6 mm
D2	55.7 mm
Weight	0.120 Kg
Basic dynamic load rating (C)	13,9 kN
Basic static load rating (C0)	6,95 kN
(Grease) Lubrication Speed	13000 r/min

62/22ZENR Bearing 2D drawings and 3D CAD models