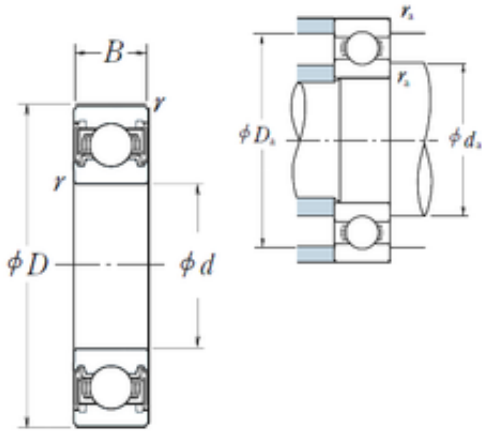




GQ BEARING PROCESSING LTD



22 mm x 50 mm x 14 mm NSK 62/22VV deep groove ball bearings

Bearing No. 62/22VV

62/22VV Bearing 2D drawings and 3D CAD models

Size	22x50x14 mm
Bore Diameter	22 mm
Outer Diameter	50 mm
Width	14 mm
d	22 mm
D	50 mm
B	14 mm
C	14 mm
r min.	1 mm
da min.	27 mm
da max	29,5 mm
Da max.	45 mm
ra max.	1 mm
Weight	0,119 Kg
Basic dynamic load rating (C)	12,9 kN
Basic static load rating (C0)	6,8 kN
(Grease) Lubrication Speed	14 000 r/min
SRI	4.01
hidYobi	62/22VV
LangID	1
D_	50
SREX	0.04
B_	14
da min	27
hidTable	ecat_NSRDGB



GQ BEARING PROCESSING LTD

SRE	4.21
mass	0.119
GRS rpm	14000
ra	1
SRIX	0.02
D_a	45
SRIN	0
C0	6.8
fo	13.5
SREN	0
DE_	44.438
Prod_Type3	DGBB_SR_VV
DA_	7.938
bomp	0
Z_	8
yobi	62/22VV
C_conv	12900
ALPHA_	0
SDM_	36.5
r	1
KBRG	6151
SBRG	2
DI_	28.562